

WeldTec®

MEGAFLO™

TIG Torch Glass Nozzle



WT-20 Shown
(250 Amps - Water Cooled)

From the company who introduced clear glass TIG nozzles to the welding industry . . . comes the MegaFlo™ nozzle.

- Better weld visibility
- Maximum weld zone gas protection
- Replaceable screens and electrode guides

The MegaFlo™ nozzle provides complete weld zone protection for critical welding of reactive metals such as titanium, molybdenum, nickel alloys, stainless alloys and others. Useable on most hand held and machine TIG torches.

TORCH SERIES	DESCRIPTION	SIZE	PART NO.
WT-17, 18, 26 WT-28, 29 i-Heads	MegaFlo™ Nozzle	1/16 (1,6)	MF10-16
	Includes: glass nozzle, teflon gasket, collet, megaflor body assembly with screen pack, o-ring, electrode guide.	3/32 (2,4)	MF10-32
		1/8 (3,2)	MF10-18
	MegaFlo™ Nozzle Kit	All 3 Sizes	MF10NK
	Includes: glass nozzle, teflon gasket, megaflor body assembly with screen pack, o-ring, all 3 electrode guides and collets 1/16, 3/32, 1/8.	1/16, 3/32, 1/8	

TORCH SERIES	DESCRIPTION	SIZE	PART NO.
WT-9, 20, 25 WT-22, 23 SW-320 i-Heads	MegaFlo™ Nozzle	1/16 (1,6)	MF13-16
	Includes: glass nozzle, teflon gasket, collet, megaflor body assembly with screen pack, o-ring, electrode guide.	3/32 (2,4)	MF13-32
		1/8 (3,2)	MF13-18
	MegaFlo™ Nozzle Kit	All 3 Sizes	MF13NK
	Includes: glass nozzle, teflon gasket, megaflor body assembly with screen pack, o-ring, all 3 electrode guides and collets 1/16, 3/32, 1/8.	1/16, 3/32, 1/8	



WeldTec® - "where quality and innovation never ends"



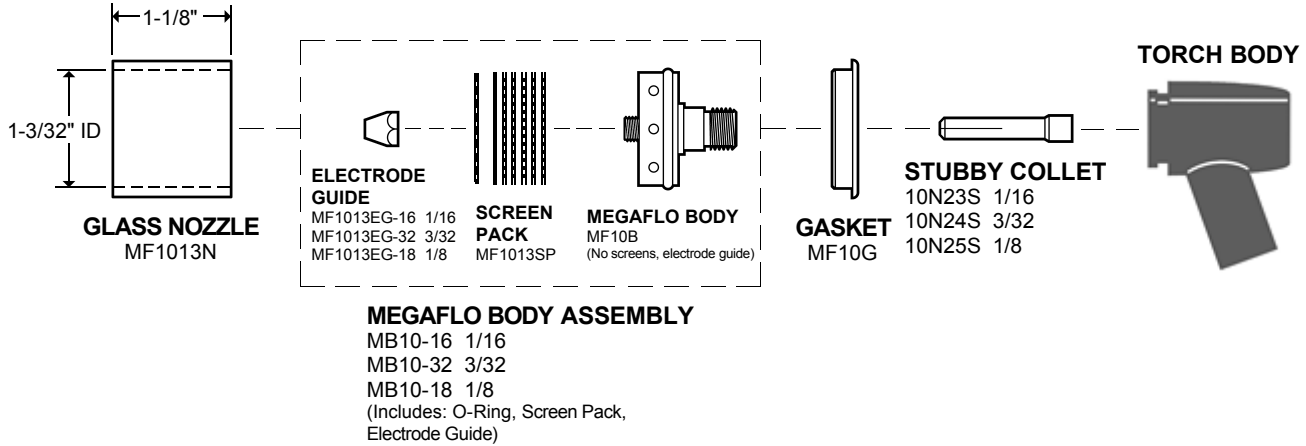
30 cfh Gas Flow

Specifications subject to change without notice.

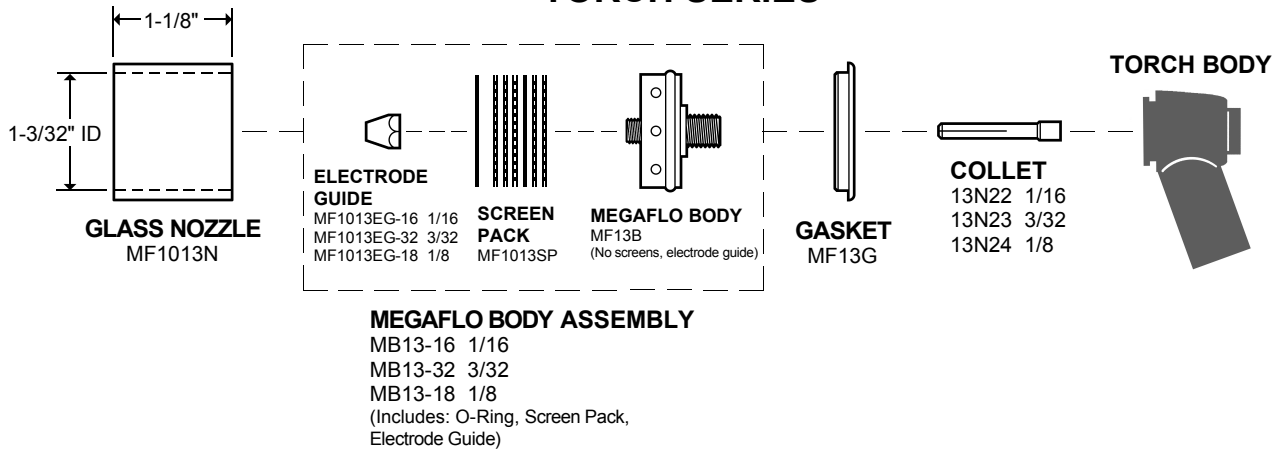
TEC WELDING PRODUCTS, INC. • PO BOX 1870 • SAN MARCOS, CA 92079 • (760) 747-3700
COPYRIGHT 2015 TEC WELDING PRODUCTS, INC. www.tigtorch.com e-mail info@tectorch.com

MF0615

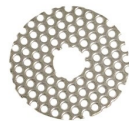
WT-17, 18, 26 WT-28, 29 i-HEADS TORCH SERIES



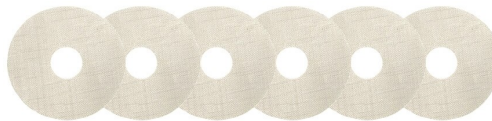
WT-9, 20, 25 WT-22, 23, SW-320 i-HEAD TORCH SERIES



REPLACEMENT SCREEN PACK MF1013SP



1 - BAFFLE



6 - SCREENS

Specifications subject to change without notice.