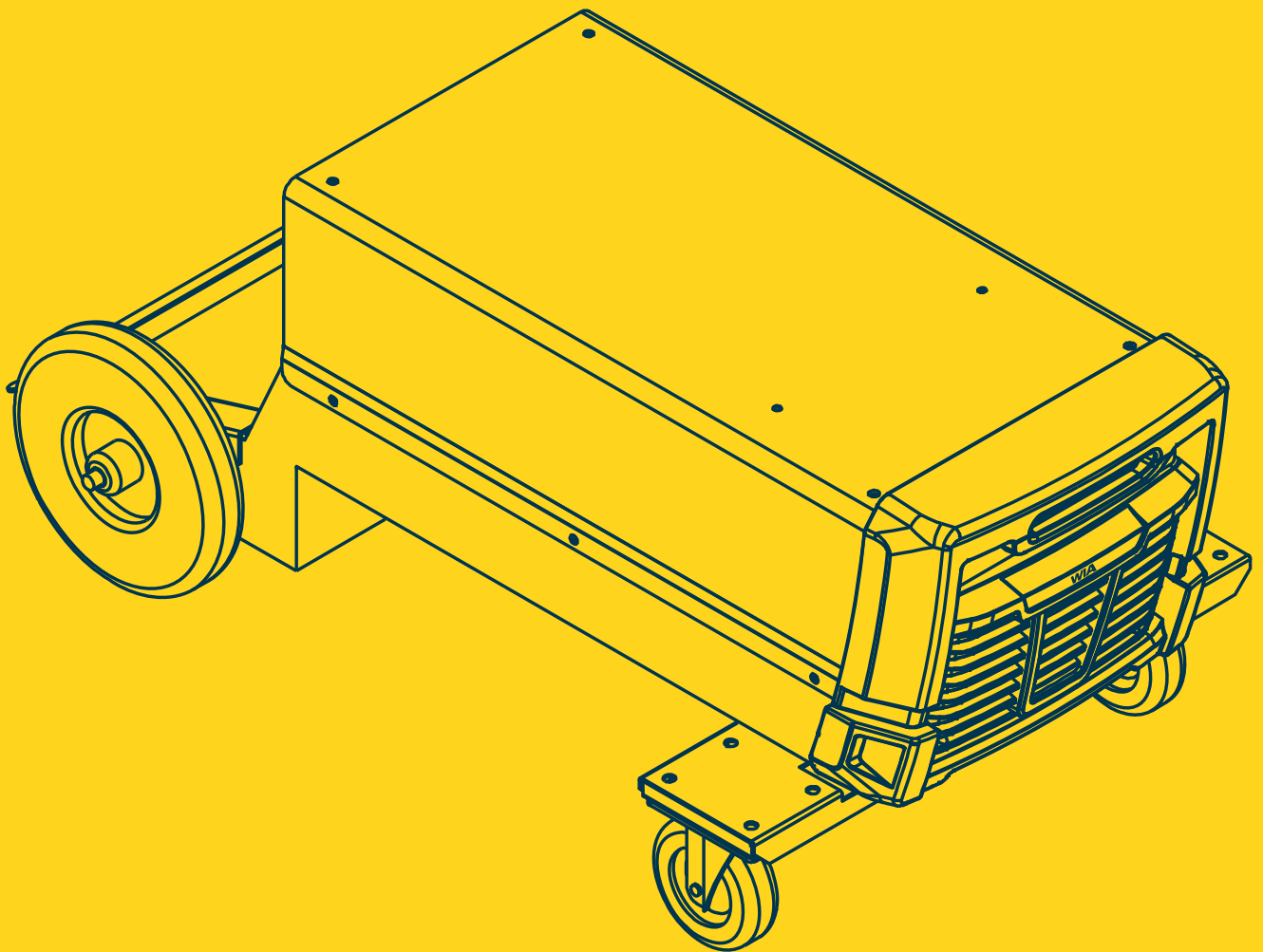


**WIA**

# TROLLEY WITH DRAWER

P/N: AM365

**Storage & Convenience.  
Compatible with  
Weldmatic 250,  
350 & 500.**



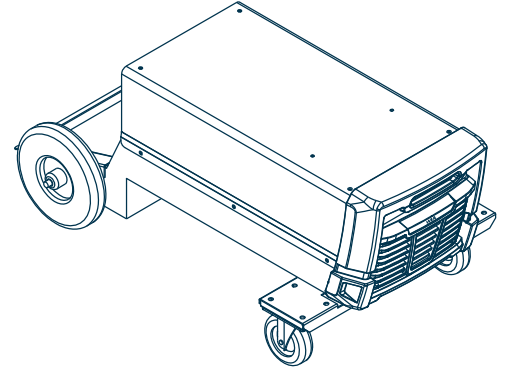
**3 YEAR**  
WARRANTY

[WELDING.COM.AU](http://WELDING.COM.AU)

# TROLLEY WITH DRAWER

P/N: AM365

**Storage & Convenience.**  
**Compatible with Weldmatic**  
**250, 350 & 500.**



## CUSTOMISED SUPPORT RAIL

Designed to secure the Weldmatic 250, 350 and 500 to the trolley for maximum stability.

## HEAVY DUTY WHEELS

Industrial quality wheels and castors deliver smooth operation and durable performance to move your Weldmatic 250, 350 and 500 where it's needed.

## GAS BOTTLE TRAY

For easy storage of a gas cylinder, making it easier to move around the workshop. Suits up to G size cylinders. Tray is low to ground for easy lift on and off. Cylinder secured by chain.

## POWDER COATED EXTERIOR PANELS

Powder coated panels for long-lasting performance to resist harsh workshop environment.

## EASY SLIDING STORAGE DRAWER

The deep drawer is perfect for storing your welding gloves, while the top partitioned tray allows for easy storage and organisation for tips and nozzles.

## SHIPPING INFORMATION

**Weight:** 20.5 kg

**Dimensions:** 94cm long, 36cm wide & 46cm high.

## BEST USED WITH

Product	Part Number
Weldmatic 250	CP143-1
Weldmatic 350	CP144-1
Weldmatic 500	CP145-1