

# HOLEMAKER PRO 55

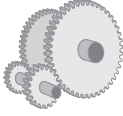
## DURABLE & VERSATILE EUROPEAN MADE MACHINE



**Cutters**  
55mm



**Twist Drills**  
18mm

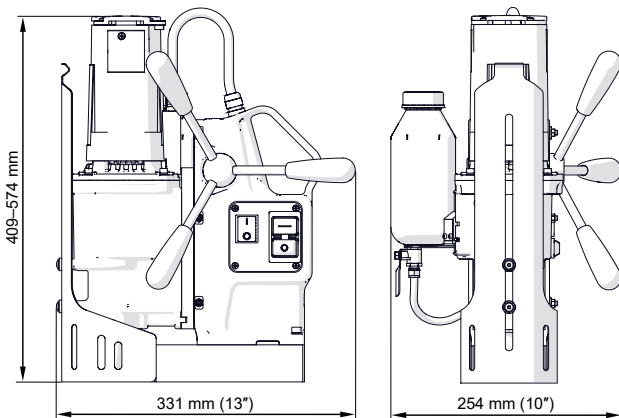


**Speed**  
200rpm  
400rpm

### FEATURES

- European made machine
- Extra large 165mm stroke allowing the use of an optional 13mm twist drill chuck
- Industrial 2-speed gearbox
- Through spindle coolant system, with an external side mounted gravity feed coolant tank
- The feed handles can be placed on either the left or right hand side, for increased versatility
- Smart magnet technology to ensure sufficient magnetic adhesion
- Integrated cutter guard for increased user safety
- Supplied in a blow mould plastic carry case
- Grub screw arbor system, which fastens positively onto Holemaker cutters

Part No.	<b>HMPRO55</b>
Capacity (Diameter)	55mm
Capacity (Depth)	75mm
Capacity (Twist Drills)	18mm
Motor Power	1100 Watt
Input Power	1200 Watt Single Phase 240V
Speed	2 Speed 200 / 400rpm
Weight	15.5kg
Magnetic Dead Lift	9,900Nm On 25mm Steel Plate
Stroke	165mm
Height (Min. / Max.)	409 / 574mm



**EUROPEAN  
MADE QUALITY**

