

HOLEMAKER PRO 36 ANGLE DRIVE

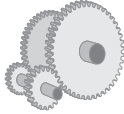
ULTRA LOW PROFILE MAGNETIC BASE DRILL



Cutters
35mm



Twist Drills
16mm



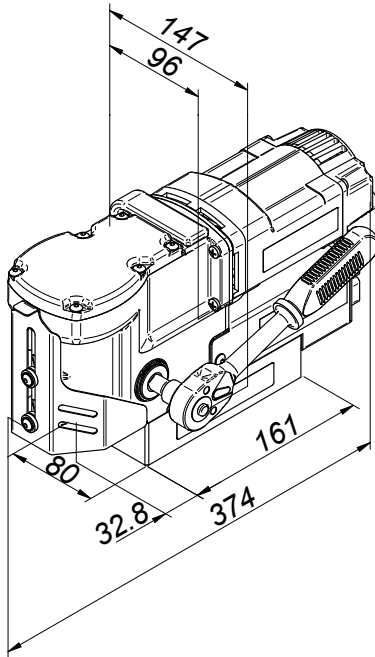
Speed
350 rpm

Features

- Ultra-low profile angle drive machine
- Constant working height of 176mm
- Ideal for drilling truck chassis
- Utilizes standard 3/4" weldon shank annular cutters
- Extremely low weight
- Ratchet wrench type feed handle which is detachable and can easily be attached to either side of the machine
- Cooling with an optional spray bottle
- Supplied in a blow mold plastic carry case



PART NO. HMPRO36AD



Part No.	Capacity (Diameter)	Capacity (Depth)	Capacity (Weldon Shank Twist Drills)	Motor Power	Input Power	Speed	Weight	Magnetic Dead Lift	Stroke	Height (min / max)
HMPRO36AD	36mm	30mm	12mm	920 Watt	1000 Watt Single Phase 240V	370rpm	9.5kg	8900Nm On 25mm Steel Plate	36mm	176mm Constant Working Height